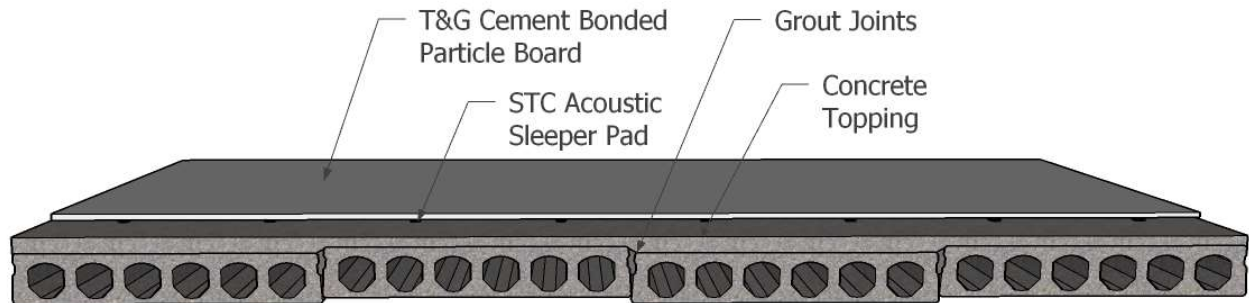
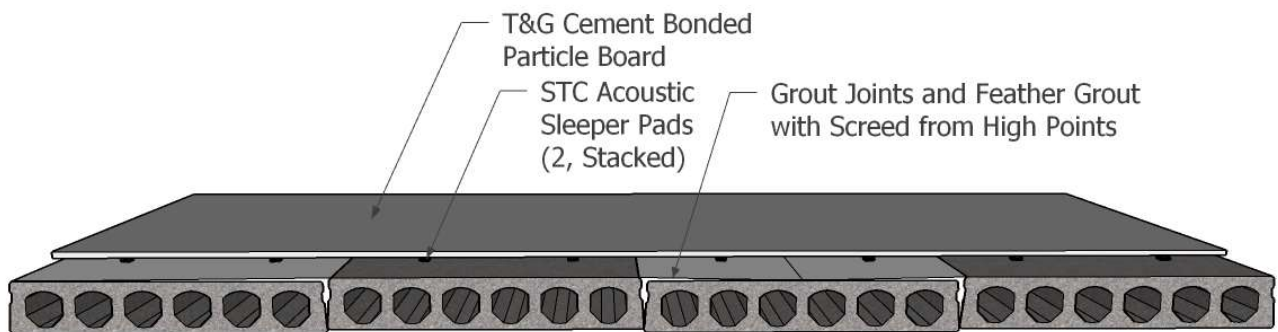


Acoustic Sleeper™ for Hollow Concrete Plank



Use Concrete Topping:

- For areas or buildings requiring high floor levelness or flatness (F_L and F_F).
- In residential construction where camber or joint height difference is severe.
- Place Acoustic Sleeper System on concrete topping per instructions for floating acoustic underlayment system.



For Hollow Concrete Plank with Minimal Camber or Joint Height Difference:

- Topping concrete may be omitted.
- Grout joints, and screed grout from high points for continuous surface.
- Stack two Acoustic Sleeper Pads with flat sides together; staple to underside of panel at desired spacing.
- Tongue-in-Groove Structural Fiber Cement Panel will span between Acoustic Sleeper pads; differences in height across planks will average.

May 21, 2019